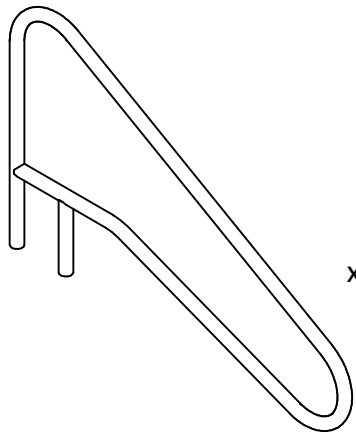
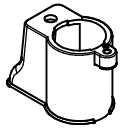




ASSEMBLY INSTRUCTIONS
HANDRAILS SGR-136 / TO BE BUILT-IN



x 1



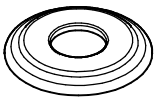
x 2



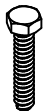
x 2



x 2



x 2



x 2



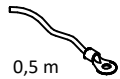
x 1



x 1

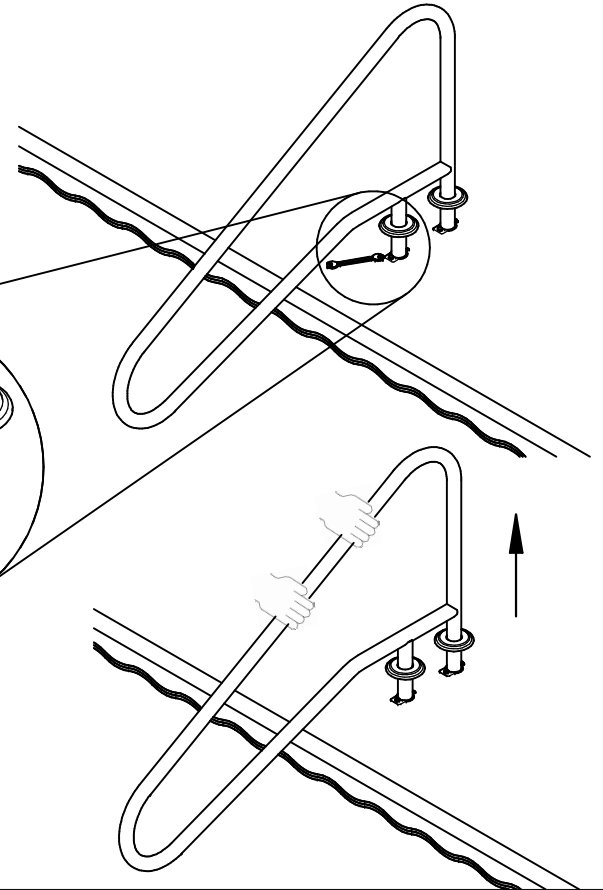
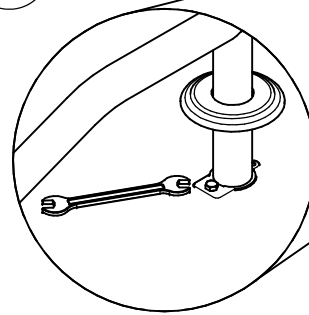
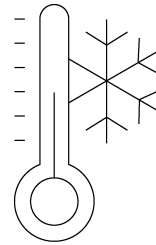


x 1

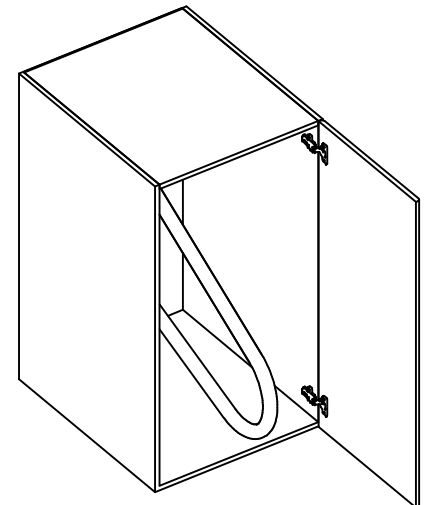
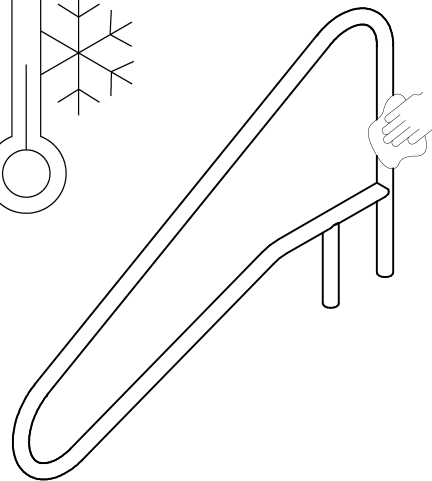
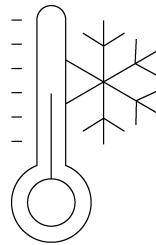


x 1

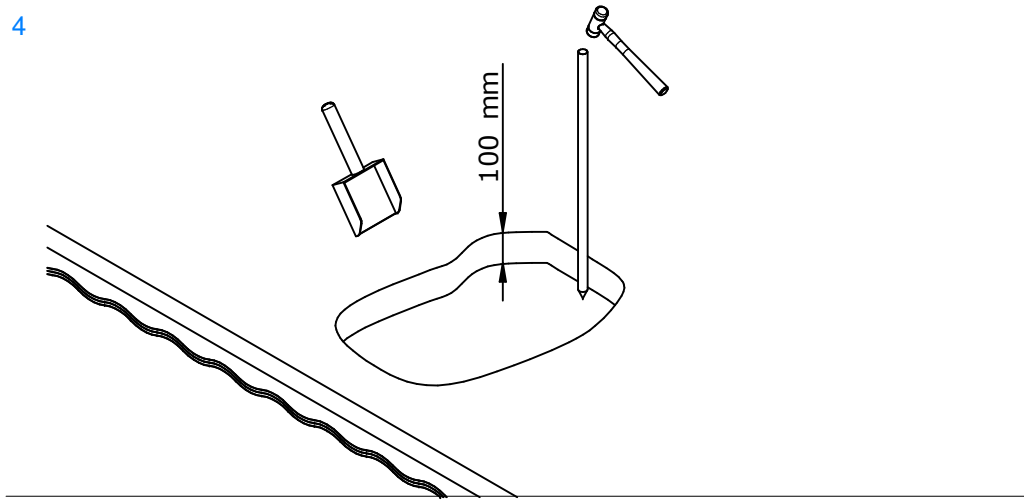
10



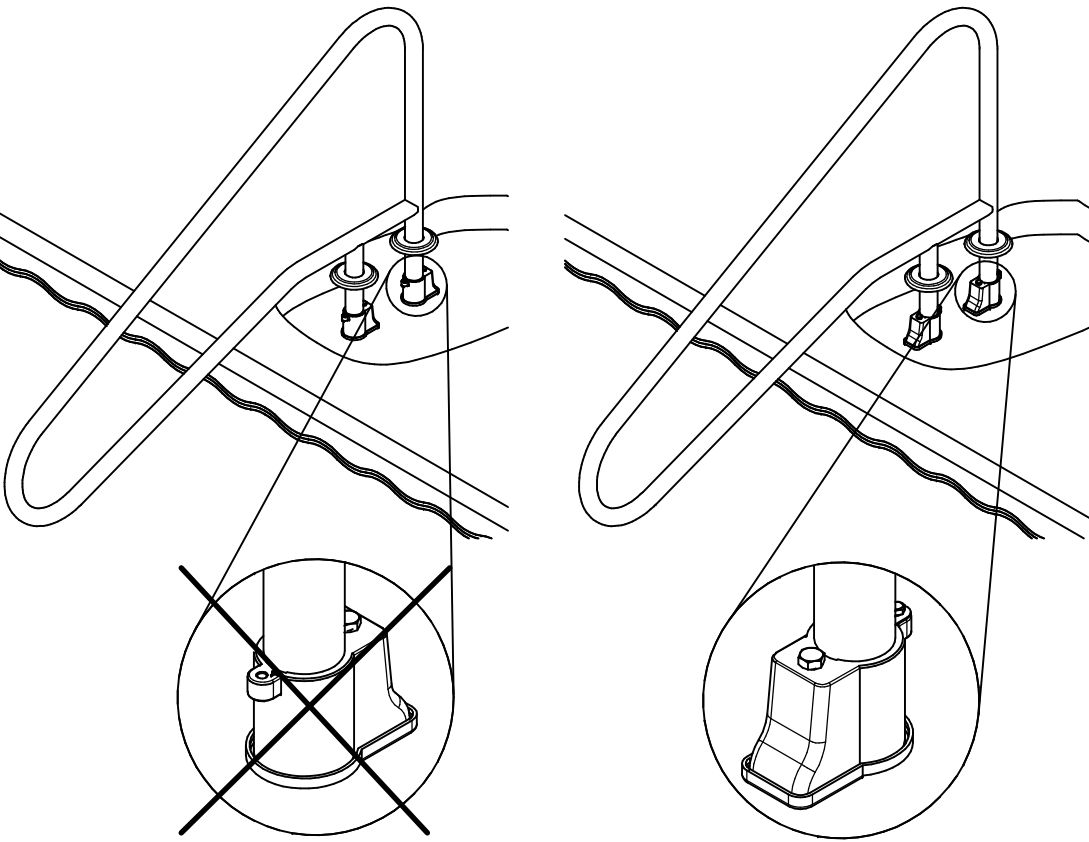
11



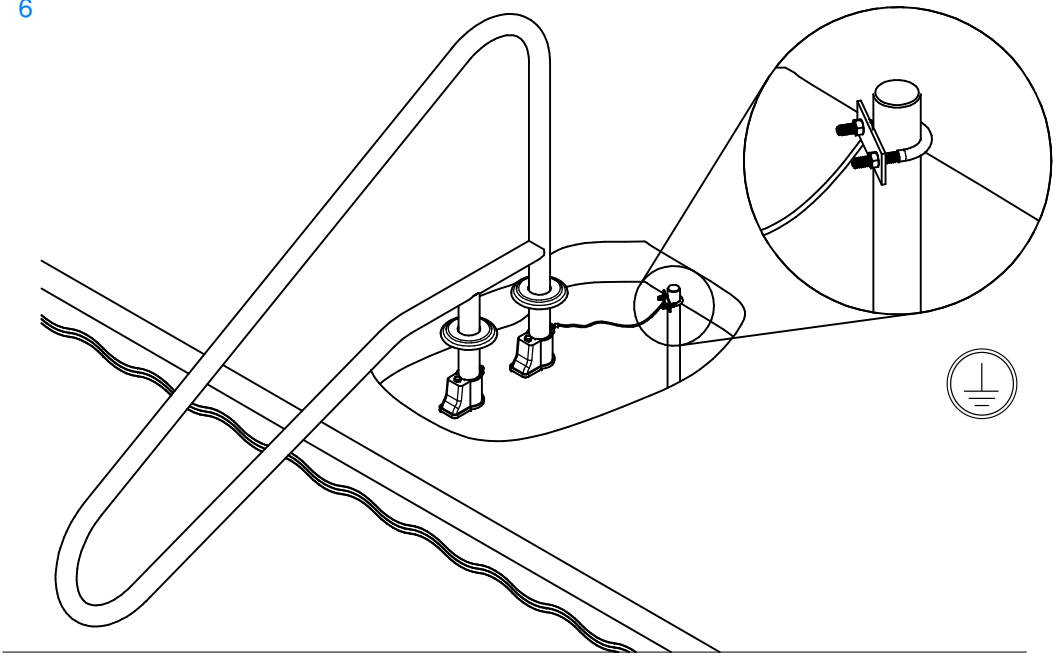
4



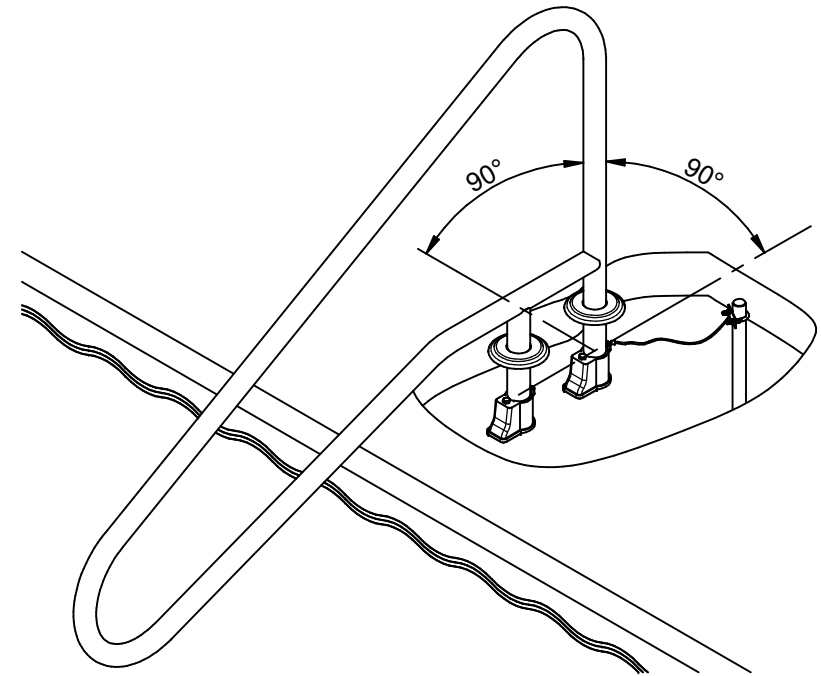
5



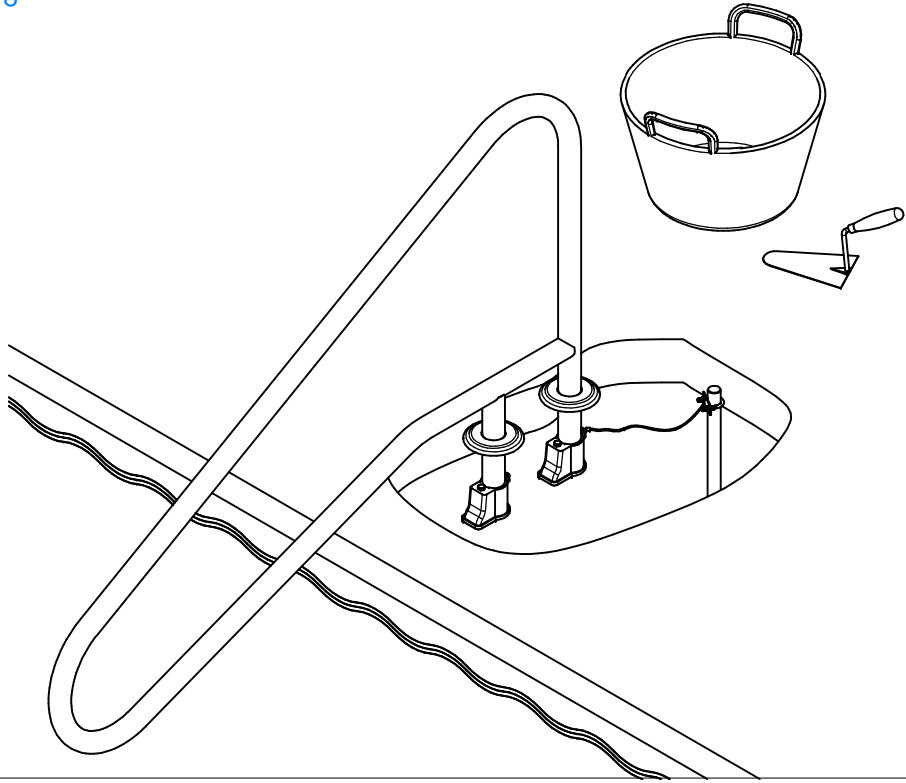
6



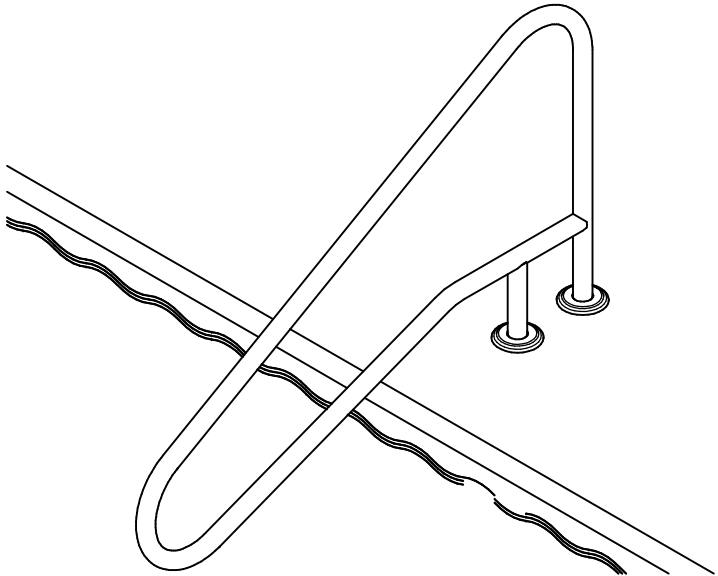
7



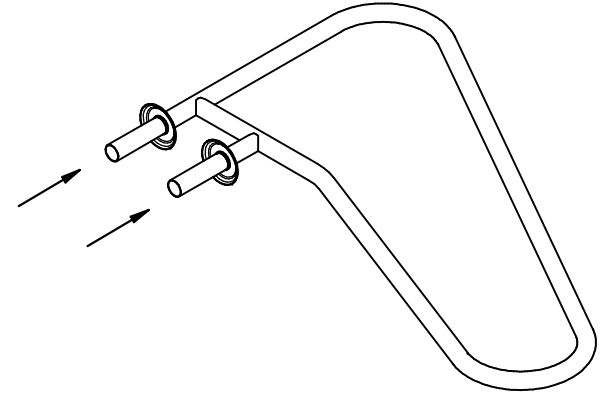
8



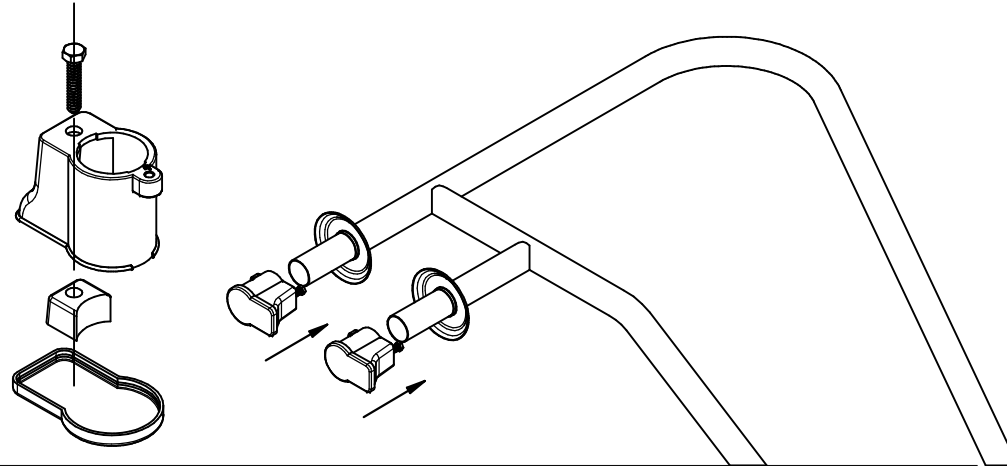
9



1



2



3

