



Manufacturer of swimming pool and fountain products

HYDRAULIC ELEVATOR FOR DISABLED PEOPLE

Pool Equipment | Sauna | Hydromassage | Fountain



www.acquasource.gr

Hydraulic elevator for disable people, AHR-series

GENERAL DESCRIPTION

Composed of a tubular structure of stainless steel AISI 316, anchored to the ground by three metallic stoppers that hold it, and three adjustable supports, two located outside the pool (can be adjusted depending on the structure of the swimming pool), and the third one located in the lower part of the elevator, which is supported on the wall of the pool.

The guide's shaft is the one in charge of giving the cylinder the position of the lift seat when it is out of the water to perform the user transfer. The fastening shaft is the one in charge to fasten the equipment and allows the regulation depending on the depth of the pool.

The cylinder holds subject the elevator chair, whose height we can regulate, depending on the type of pool and the bottom of itself.

There are two action commands, one located at the top of the guide shaft that allows the user the activation of the elevator from outside of the water, and the other one located on the fastening shaft, which allows the user to activate the lift from inside the pool.



ADVANTAGES

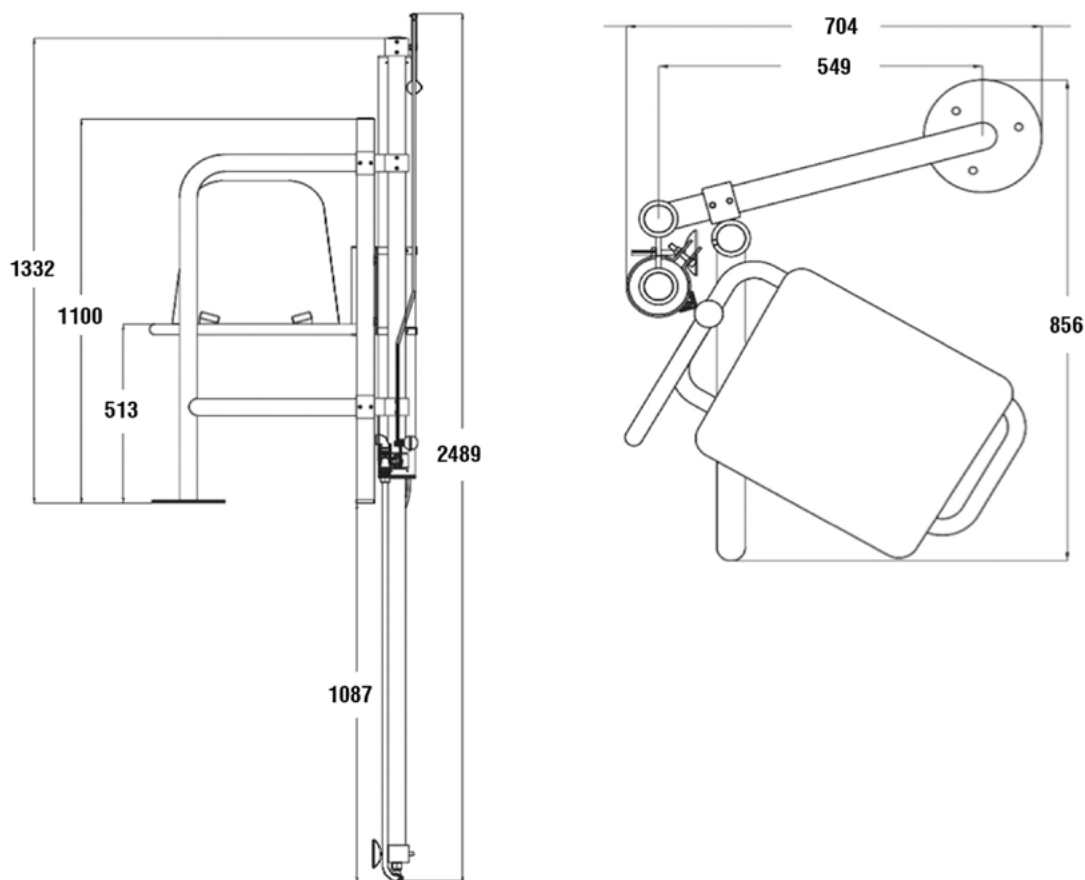
- ✓ The main advantage of the ACCESS B4 elevator is its versatility to adapt to most of the swimming pools available on the market.
- ✓ Its installation is very simple, with only three anchors screwed on the pavement and three adjustable supports.
- ✓ The transfer and input of water are done within the swimming pool itself.

TECHNICAL CHARACTERISTICS

Lifting capacity:	120 kg
Angle of rotation:	150°
Structure and piston:	Stainless steel AISI 316L
Outer tubular structure:	Ø 48.3 x 2 mm
Water pressure:	3.5 - 5 bar
Chair:	synthetic material suitable for outdoor facilities

PHYSICAL CHARACTERISTICS

Dimensions:



INSTALLATION INSTRUCTIONS

Bring the elevator to the pool.

Level it and regulate it if necessary by the set screws attached on the anchoring structure n° 1 and n° 3. Regulate, if necessary, the swivel located inside the vessel n° 2, leaving it against the wall of the pool.

Regulate, if necessary, the swivel located inside the vessel n° 2, leaving it against the wall of the pool.

⚠ Attention: do not loosen the set screws placed in sets n° 5 and n° 6, as this would put out of order the whole cylinder assembly, damaging its joints.

Once the lift is on place, proceed to mark the fastening holes in the pavement (three holes drilled in the anchorage disc).

Remove the lift and drill the floor

Once it is drilled, put the lift and the fastening stoppers, tightening them until they are secure and well-tightened.

Look over the vertical level of the cylinder and proceed with the corrections, if necessary, with the swivel and the set screws.

Review the regulation elements so that there are no loose elements.

Place the water inlet to the elevator in order to feed the circuit. The lift is equipped with a fast outlet made for an easy connection to the water network. The emptying of the cylinder is done in the same pool through the lower tube of the three-way valve.

After connecting the water outlet, proceed to start making it work repeatedly until the air gets out of the cylinder. You will notice it when the cylinder goes up slowly without any fluctuations.

PRECAUTIONS

- Whenever possible, do not install the lift to less than 1 m from a ladder, corner of the pool, waterfall, playground slide, etc.
- The water inlet must not exceed 5 bars of pressure, if it exceeds the 5 bars, a pressure regulator should be installed.

RECOMMENDATIONS

- Place a shutoff valve before the connection of the hose that feeds the elevator.
- Leave the cylinder without any pressure or load during the periods that the lift is not used.
- Weekly perform a minimum of three maneuvers up and down to avoid the buildup of any incrustations on the wall of the tube/bar, in order to avoid any internal damage.
- After each day that we use the lift, close the lift water passage valve, and release the pressure of the cylinder, in order to prevent the internal joints to perform an unnecessary effort.
- Clean the surface with products suitable for stainless steel, to keep it in a perfect condition and therefore preventing any kind of deterioration.

DECLARATION OF CONFORMITY

We declare, under our responsibility, that the machine:

Type: HYDRAULIC ELEVATOR FOR DISABLED PEOPLE WITH REDUCED MOBILITY

Brand: AHR-series

It complies with the essential requirements of Health and Safety Directives: 98/37 CE "Machines"

And it is in accordance with the harmonized European standards:

UNE EN ISO 12100-1 UNE EN ISO 12100-2

UNE EN 982 UNE EN 418

UNE EN 1050 UNE EN ISO 10535



Manufacturer of swimming pool and fountain products

Filters, pumps, white goods, pool lights, ladders, aquatic games, slides, diving boards, cleaning equipment, PVC fittings, fountain jets, fountain lights

15 Souri str.
121 31 Peristeri
Athens, Greece

Tel: +30 210 5721058
+30 210 5771863
+30 210 5774345

Fax: +30 211 4100634

E-mail: info@acquasource.gr

www.acquasource.gr