



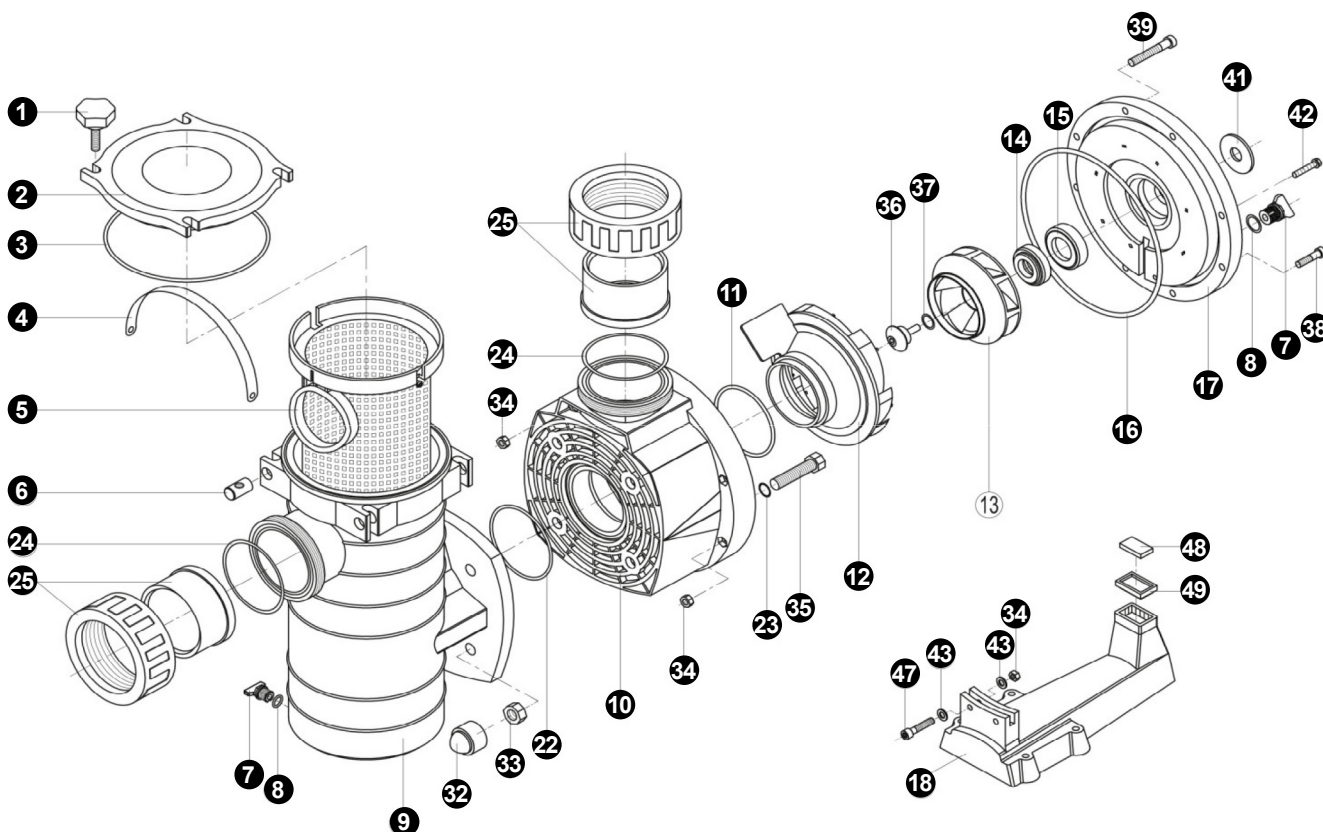
# HIGH-PERFORMANCE PUMP FOR RESIDENTIAL POOLS, KAPRI/HCP 3800 SERIES

**HAYWARD**



**MODELS**

- KAP250 M (HCP38251E)
- KAP250 T1 (HCP38253E1)
- KAP300 M (HCP38301E)
- KAP300 T1 (HCP38303E1)
- KAP350 T1 (HCP38353E1)
- KAP450 T1 (HCP38453E1)
- KAP550 T1 (HCP38553E1)





No.	Description	Quantity	Code	Part no.
1 + 6	Swivel nut + Hand knob	4	500100010003	RPUM0001.04R
2 + 3	Strainer cover + O'Ring	1	500100020005	RPUM0001.04R
3	Strainer cover O'Ring	10	500100110005	RPUM0003.06R
3	Set of gaskets	1	500131160700	RPUM3116.07R
8		2		
11		1		
16		1		
24		2		
4 + 5	Strainer basket	1	500100030005	RPUM0005.06R
6	Swivel nut	10	500100160000	RPUM0006.00R
7 + 8	Drain Plug	10	500100000000	RPUM0007.00R
9	Strainer	1	500100140006	
10	Pump Housing	1	5001001000256	
11	Diffuser gasket	10	500100120003	RPUM0011.04R
12	Diffuser	1	500100060004	RPUM0012.05R
13 + 36 + 37	Impeller HCP3825	1	500100070012	RPUM0013.15R
	HCP3830	1	500100070013	RPUM0013.16R
	HCP3835	1	500100070014	RPUM0013.17R
	HCP3845	1	500100070015	RPUM0013.18R
	HCP38553E1 - KAP55 (IE1)	1	500100070016	RPUM0013.19R
14 + 15	Seal set	1	500114150200	RPUM1415.02R
16	Housing gasket	10	500100130003	RPUM0016.04R
17	Seal plate	1	500100080003	RPUM0017.04R
18	Motor support	1	500100090002	RPUM0018.03R
48 + 49		2		
23 + 35	Screw set	4	500139420400	RPUM3942.04R
32 + 33		4		
34		10		
38		6		
39		2		
42 + 43		4		
47		2		
36 + 37	Impeller screw	10	500100190000	RPUM3637.01R
41	Slinger	10	500100410100	RPUM0041.01R
24 + 25	Union connector kit 90 mm	2	500100150000	RPUM2425.01R
	Union connector kit 3" ANSI	2	500100150001	RPUM2425.11R



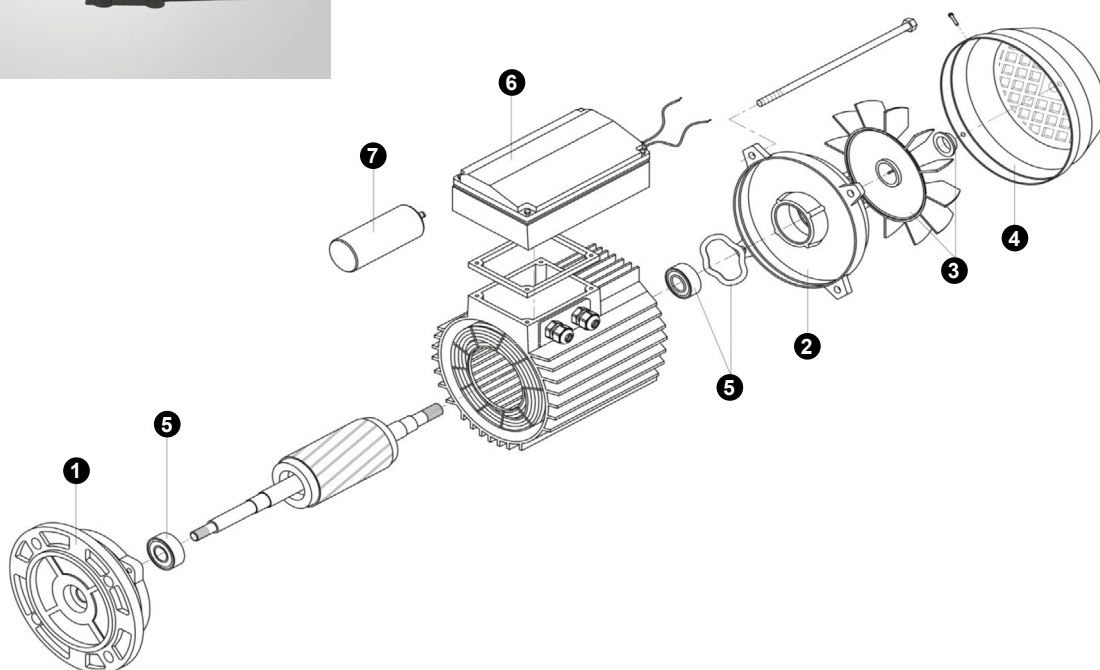
# HIGH-PERFORMANCE PUMP FOR RESIDENTIAL POOLS, KAPRI/HCP 3800 SERIES / ENGINE SPARE PARTS

**HAYWARD**



**MODELS**

- KAP250 M (HCP38251E)
- KAP250 T1 (HCP38253E1)
- KAP300 M (HCP38301E)
- KAP300 T1 (HCP38303E1)
- KAP350 T1 (HCP38353E1)
- KAP450 T1 (HCP38453E1)
- KAP550 T1 (HCP38553E1)



Code	Part no.	Pump Model	HP	MEC
<b>No. 1 MOTOR COVER-PUMP SIDE</b>				
505010103000	RMOT0001.03R	HCP38253E1	2,5	80
		HCP38303E1	3	
505010104000	RMOT0001.04R	HCP38253E	2,5	90
		HCP38303E	3	
		HCP38301E	3	
		HCP38353E1	3,5	
505010105000	RMOT0001.05R	HCP38453E1	4,5	100
		HCP38353E	3,5	
<b>No. 2 MOTOR COVER-FAN SIDE</b>				
505010203300	RMOT0002.03R	HCP38253E1	2,5	80
		HCP38303E1	3	80
		HCP38251E	2,5	90
505010204200	RMOT0002.04R	HCP38253E	2,5	90
		HCP38303E	3	
		HCP38301E	3	
		HCP38353E1	3,5	
505010205200	RMOT0002.05R	HCP38453E1	4,5	100
		HCP38353E	3,5	
		HCP38453E	4,5	



Code	Part no.	Pump Model	HP	MEC
<b>No. 3 FAN</b>				
505010303300	RMOT0003.03R	HCP38253E1	2,5	80
		HCP38303E1	3	80
		HCP38251E	2,5	90
505010304200	RMOT0003.04R	HCP38253E	2,5	90
		HCP38301E	3	
		HCP38353E1	3,5	
		HCP38453E1	4,5	
505010305200	RMOT0003.05R	HCP38453E	4,5	100
<b>No. 4 FAN COVER</b>				
505010403200	RMOT0003.05R	HCP38253E1	2,5	80
		HCP38303E1	3	80
		HCP38251E	2,5	90
505010404200	RMOT0004.04R	HCP38253E	2,5	90
		HCP38303E	3	
		HCP38301E	3	
		HCP38353E1	3,5	
		HCP38453E1	4,5	
505010405200	RMOT0004.05R	HCP38353E	3,5	10
		HCP38453E	4,5	
<b>No. 5 BEARINGS KIT</b>				
505010703000	RMOT0005.02R	HCP38253E1	2,5	80
		HCP38303E1	3	80
		HCP38251E	2,5	90
505010704000	RMOT0005.03R	HCP38253E	2,5	90
		HCP38303E	3	
		HCP38301E	3	
		HCP38353E1	3,5	
		HCP38453E1	4,5	
505010705000	RMOT0005.04R	HCP38353E	3,5	100
		HCP38453E	4,5	
<b>No. 6 CONNECTION BOX</b>				
505006000603	RMOT0006.03R	HCP38251E	2,5	80
		HCP38253E	2,5	90
		HCP38253E1	2,5	
505006000604	RMOT0006.04R	HCP38303E	3	
		HCP38303E1	3	
		HCP38353E1	3,5	
		HCP38453E1	4,5	
		HCP38301E	3	90
505006000605	RMOT0006.05R	HCP38301E	3	90
505006000606	RMOT0006.06R	HCP38353E	3,5	100
		HCP38453E	4,5	
<b>No. 7 CAPACITOR</b>				
505007000707	RMOT0007.07R	HCP38251E	2,5	80 - 40µF
505007000708	RMOT0007.08R	HCP38301E	3	90 - 36µF
<b>COMPLETE MOTORS</b>				
505000401000	RMOT5040.10RR	HCP3800 - KAP250 - Single phase motor		
505000313100	RMOT5041.30RR	HCP3800 - KAP250 - Three phase T1 motor		
505053413000	-	HCP3800 - KAP250 - Three phase T1 motor IE3		
505000402100	RMOT5040.21RR	HCP3800 - KAP300 - Single phase motor		
505000313100	RMOT5041.30RR	HCP3800 - KAP300 - Three phase T1 motor		
505053413000	-	HCP3800 - KAP300 - Three phase T1 IE3 motor		
505000413000	RMOT5041.31RR	HCP3800 - KAP350 - Three phase T1 motor		
505053413100	-	HCP3800 - KAP350 - Three phase T1 IE3 motor		
505000414000	RMOT5041.40RR	HCP3800 - KAP450 - Three phase T1 motor		
505053414000	-	HCP3800 - KAP450 - Three phase T1 IE3 motor		
505000511000	RMOT5051.10RR	HCP3800 - KAP550 - Three phase T1 motor		
505000521000	RMOT5052.10RR	HCP3800 - KAP550 - Three phase T2 motor		

T1 - 230 / 400 Volt.  
T2 - 400 / 700 Volt.