

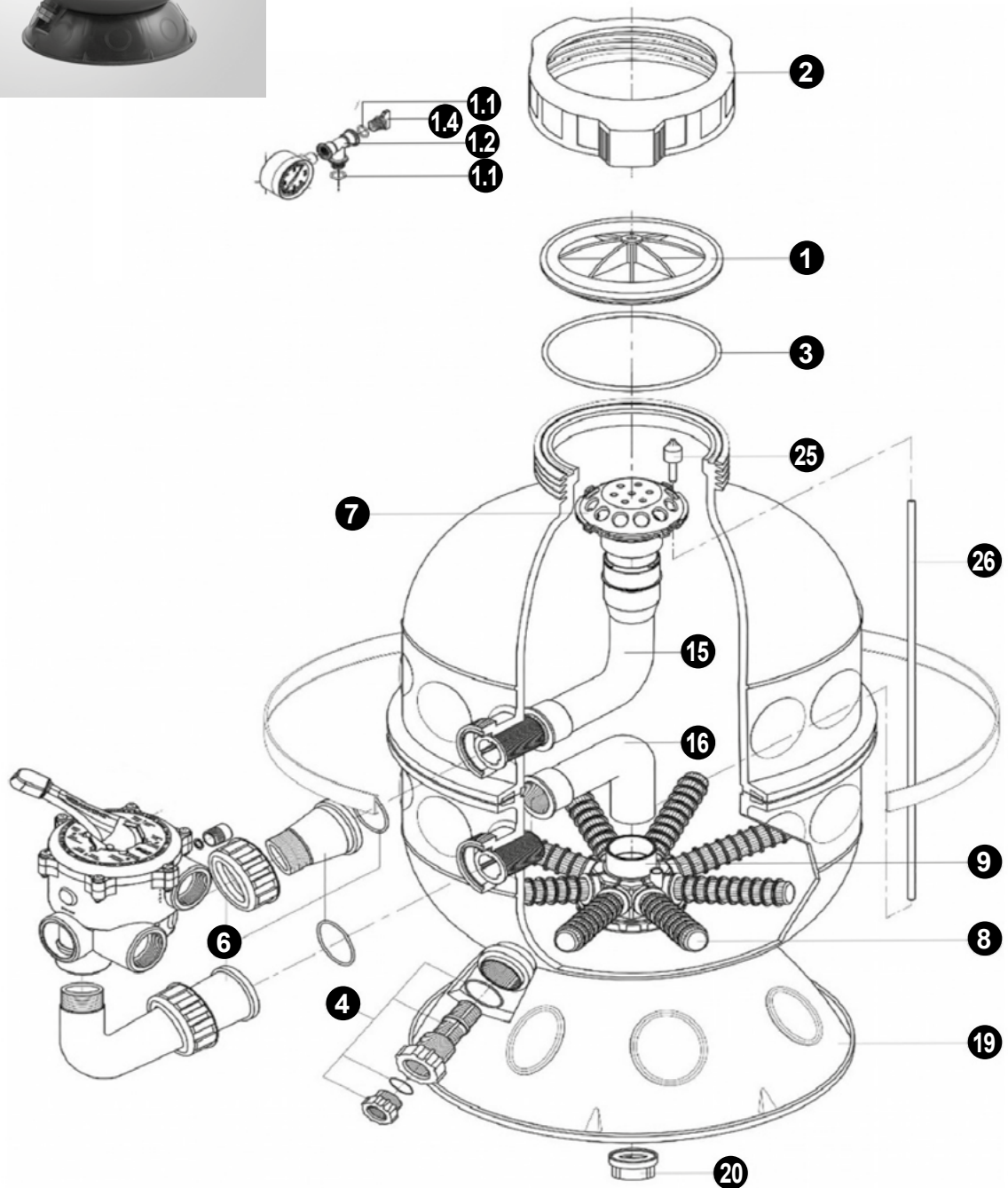


SAND FILTERS FOR RESIDENTIAL POOLS IN POLYMERIC MATERIAL, GRANADA SERIES

KRIPSOL

MODELS

- GL 400
- GL 500
- GL 600





No.	Description	Quantity	Code	Part no.
1 + 1.1 + 1.2 + 3	Cover kit (cover + O'Ring)	1	500201000000	RRFI0001.00R
2	Cover closing nut	1	500200020000	RRFI0002.00R
1.1 + 1.2 + 1.4	Manual air relief	1	500211120300	RRFI1112.03R
1.4 + 1.1	Drain cap	10	500100000000	RPUM0007.00R
3	Cover O'Ring	10	500200030000	RRFI0003.00R
4	Drain kit	1	500413000400	RRFI0004.00R
6	Kit union 1½" injected filter	1	500201300013	RRFI0006.13R
7	Diffuser	1	500200070300	RRFI0007.03R
8	Laterals Ø400	2	500201110000	RRFI0008.00R
	Laterals Ø500	2	500201120000	RRFI0008.01R
	Laterals Ø600	2	500201130000	RRFI0008.02R
9	Collector	1	500203000000	RRFI0009.00R
15	Diffuser elbow Ø400	1	500204101000	RRFI0015.00R
	Diffuser elbow Ø500	1	500204103000	RRFI0015.00R
	Diffuser elbow Ø600	1	500204104000	RRFI0015.01R
16 + 9	Collector elbow Ø400	1	500203123200	RRFI0016.05R
	Collector elbow Ø500	1	500203133200	RRFI0016.00R
	Collector elbow Ø600	1	500203104200	RRFI0016.01R
25 + 26	Internal air relief kit	1	500413002500	RRFI0025.00R
19 + 20	Filter base	1	500200190000	RRFI0019.00R
-	Glycerin pressure gauge Ø63 ¼"	1	210100606300	-
-	Pressure gauge MP13B 0-3 Kg	1	210100030000	-