



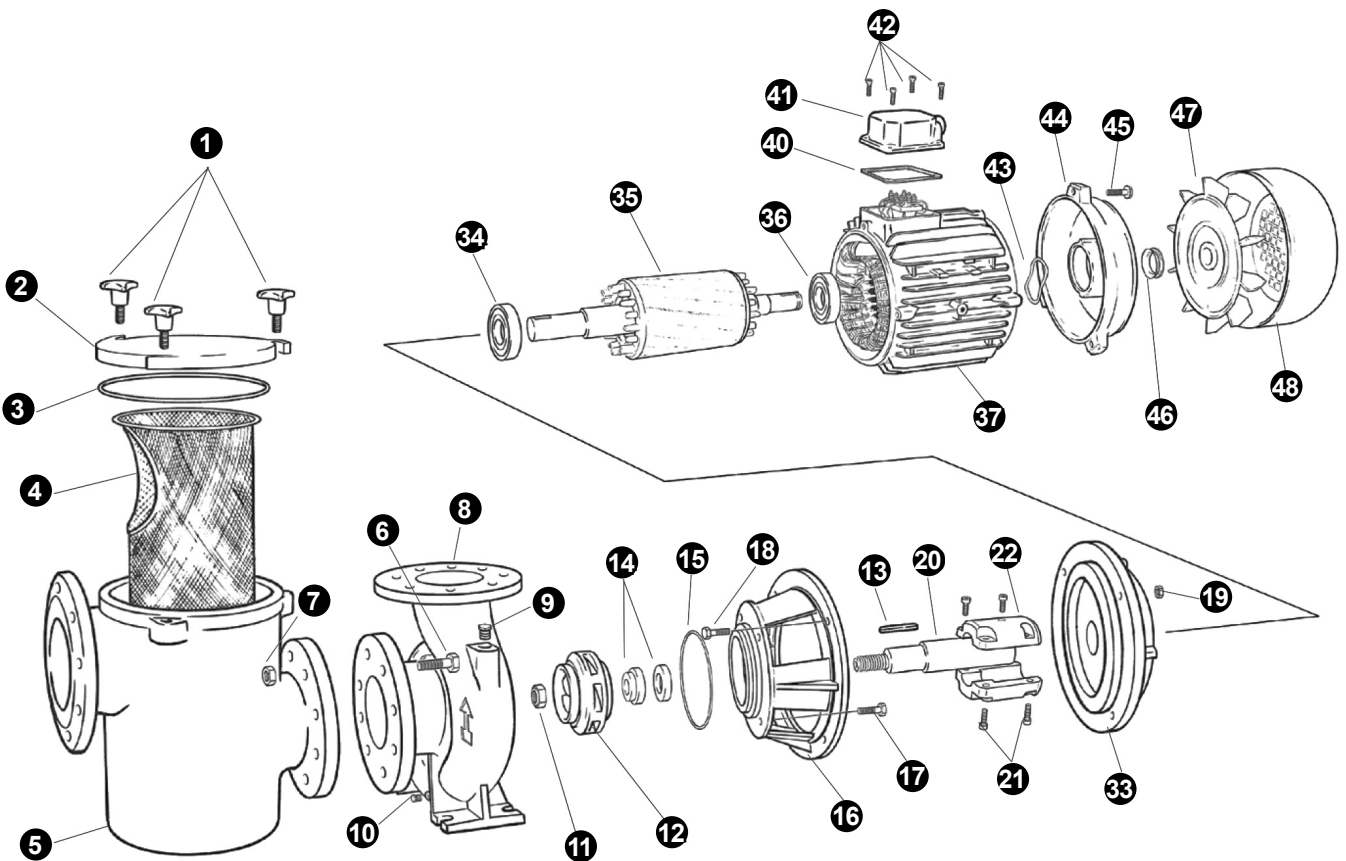
# CAST IRON CENTRIFUGAL COMMERCIAL POOL PUMP 2.850 RPM, CI SERIES

**ACQUASOURCE  
PRODUCTION**



**MODELS**

- CI-300
- CI-400
- CI-550
- CI-551
- CI-750
- CI-1000
- CI-1250
- CI-1500



No.	Description	Quantity	Code
1	Pre-filter handel CI		92304180
2	Pre-filter inspection cover CI		92304110
	Pre-filter inspection cover CI - NEUTRAL		92304111
	Pre-filter inspection cover CI - 4 HANDEL		92304112
	Pre-filter inspection cover CI - NEUTRAL 4 HANDEL		92304113
	Pre-filter cover CI - BRONZE		92304440



No.	Description	Quantity	Code
3	O'Ring (227,9X7) Pre-filter cover CI (3H)		96401120
	O'Ring (304X7) Pre-filter cover CI (4H)		96401121
4	Pre-filter basqiet DN 65-80 (300/400) (INOX316) (ANT)		92304190
	Pre-filter basquet DN 100-125 (550-1500) (INOX316) (ANT)		92304200
	Pre-filter basquet DN 65-125 (300-1500) (INOX316) (NEW)		92304201
5	Pre-filter D.65/65		92304089
	Pre-filter D.80/80 (300/400) (4 holes)		92304090
	Pre-filter D.80/80 (8 holes)		92304095
	Pre-filter D. 100/100		92304099
	Pre-filter D.125/125		92304100
8	Pre-filter D.150/150		92304101
	Pre-filter D.200/200		92304102
11	Body 300/400		92304010
	Body 550		92304020
	Body 750/551		92304021
	Body 1000/1250/1500		92304022
11	Tuerca DIN 985 M-20 A-2 (CI 1000)		96326089
12	Impeller 300		92304030
	Impeller 400		92304031
	Impeller 551		92304040
	Impeller 500		92304041
	Impeller 750		92304051
	Impeller 1000		92304052
	Impeller 1250		92304053
	Impeller 1500		92304054
14	Mech. seal 20 L (300/400)		9012020L
	Mech. seal 35L (550/550/750)		9012025L
	Mech. seal VITON D.20 (CI 300/400)		9012120C
	Mech. seal VITON D.25 (CI 550)		9012125C
	Mech. seal WIDIA D.20 (CI 300/400)		9012220C
	Mech. seal WIDIA D.25 (CI 550)		9012225C
	Mech. seal AISI 316 D.20 (CI 300/400)		9012320L
	Mech. seal AISI 316 D.25 (CI 550/750)		9012325L
	Mech. seal AISI 316 D.35 (CI 1000-1500)		9012335L
16	Support 300/400		92304060
	Support 550/551		92304065
	Support 750		92304070
	Support 1000/1250/1500		92304072
15	O'Ring (136,12X3,53) Body (CI 300/750)		96401100
	O'Ring (160X4) Body (CI 1000/1500)		96401110
18	Nut DIN 933 M 8X25 (CI 400)		96304294
20-22	Pump shaft + coupling 300 (INOX316)		92304230
	Pump shaft + coupling 400 (INOX316)		92304240
	Pump shaft + coupling 550/551 (INOX316)		92304250
	Pump shaft + coupling 750 (INOX316)		92304260
	Pump shaft + coupling 1000/1500 (INOX316)		92304270
34-36	Ball bearing 6309 2RS C3 (300-400)		90119815
	Ball bearing 6206 2RS C3 (550-551-750)		90119815
	Ball bearing 6208 2RS C3 (1000-1250-1500)		90119809
33, 35, 37 up to 48	IS NECESSARY SERIAL NUMBER FROM ELECTRIC MOTOR		-